

## The pre-assembled middle and final clamps for photovoltaic modules with aluminium frame



PV modules with aluminium frame



Detail: fastening of PV module

### VERSIONS

- clamps PM C and PM F in aluminium alloy AW 6060 T66 according to EN 755-2:2013
- hexagon socket cylindrical head screw TCEI in stainless steel A2-70 according to EN ISO 3506-1/2:2009
- channel nut FCN AL in aluminium alloy AW 6060 T66 according to EN 755-2:2013 and nylon PA6 grey

### APPROVALS



### ADVANTAGES

- Full range: the pre-assembled clamps PM C and PM F can fasten all PV modules with thickness in range 26,5÷50 mm.
- Fast: through the channel nut FCN AL the pre-assembled clamps PM C and PM F can be hooked and quick blocked in any point of the profile.
- Easy: through their spring the pre-assembled clamps PM C and PM F stay up during the fastening operation and through their plastic element it do not slide on the profile.
- Complete: the pre-assembled clamps PM C and PM F do not need any further accessory (e.g. screws, washers, nuts)

### APPLICATIONS

#### Suitable for:

- Pitched roof system
- Flat surface system
- Industrial roof system
- Corrugated roof system
- Special application system
- Powerskin system

#### To fasten PV modules on the profiles:

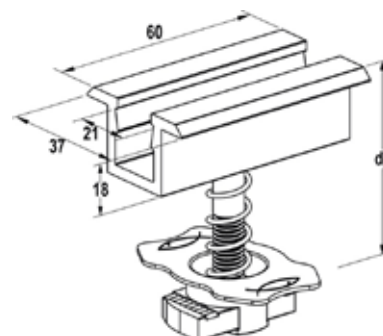
- Solar-fish
- Solar-mid
- Solar-flat
- Solar 40/30

#### Anti-theft bronze ball can be used

### FUNCTIONING

- Put the channel nut of the pre-assembled clamps PM C and PM F into the profile upper channel.
- Rotate the universal pre-assembled clamps PM C and PM F clockwise for 90°.
- Fasten the PV module tightening the hexagon socket cylindrical head screw TCEI, applying the right installation torque (10 Nm).
- (Optional) To protect the installation put the anti-theft bronze DAE ball into the screw hexagon socket.

## TECHNICAL DATA



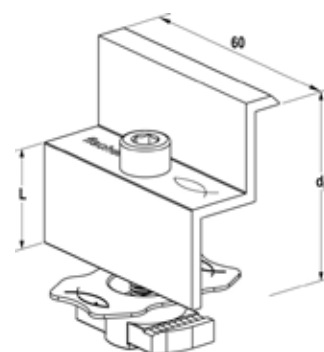
Pre-assembled middle clamp **PM C**

Pre-assembled middle black clamp **PM C BL**

Item	Art.-No.	Weight	PV module thickness	Thread	Screw length	Installation torque	Hexagon socket	Sales unit	GTIN (EAN code)
		W [g]	d <sub>p</sub> [mm]	M	l [mm]	T <sub>inst</sub> [Nm]	○ SW	[pcs]	
<b>PM C 30-34</b>	<b>511093</b> <sup>1)</sup>	75	30 ÷ 34	M 8	35	10	6	10	8001132021200
<b>PM C 30-34 BL</b>	<b>523669</b> <sup>1)</sup>	75	30 ÷ 34	M 8	35	10	6	10	8001132032640
<b>PM C 33-39</b>	<b>571214</b> <sup>1)</sup>	75	33 ÷ 39	M 8	40	10	6	10	8001132712146
<b>PM C 33-39 BL</b>	<b>520112</b> <sup>1)</sup>	75	33 ÷ 39	M 8	40	10	6	10	8001132029022
<b>PM C 38-44</b>	<b>571215</b> <sup>1)</sup>	75	38 ÷ 44	M 8	45	10	6	10	8001132712153
<b>PM C 38-44 BL</b>	<b>513855</b> <sup>1)</sup>	75	38 ÷ 44	M 8	45	10	6	10	5012184004304
<b>PM C 43-49</b>	<b>571216</b> <sup>1)</sup>	75	43 ÷ 49	M 8	50	10	6	10	8001132712160
<b>PM C 43-49 BL</b>	<b>515724</b> <sup>1)</sup>	75	43 ÷ 49	M 8	50	10	6	10	4048962133646
<b>PM C 48-54</b>	<b>571217</b> <sup>1)</sup>	75	48 ÷ 54	M 8	55	10	6	10	8001132712177
<b>PM C 48-54 BL</b>	<b>515725</b> <sup>1)</sup>	75	48 ÷ 54	M 8	55	10	6	10	4048962133653

<sup>1)</sup> Do not use with profile Solar-light

## TECHNICAL DATA



Pre-assembled final clamp **PM F**

Pre-assembled final clamp black **PM F BL**

Item	Art.-No.	Weight	PV module thickness	Thread	Screw length	Installation torque	Hexagon socket	Sales unit	GTIN (EAN code)
		W [g]	d <sub>p</sub> [mm]	M	l [mm]	T <sub>inst</sub> [Nm]	○ SW	[pcs]	
<b>PM F 26,5</b>	<b>533173</b> <sup>1)</sup>	75	26,5	M 8	30	10	6	10	8001132035184
<b>PM F 31</b>	<b>511092</b> <sup>1)</sup>	75	31	M 8	35	10	6	10	8001132021194
<b>PM F 33</b>	<b>534121</b> <sup>1)</sup>	75	33	M 8	30	10	6	10	8001132048702
<b>PM F 33 BL</b>	<b>534120</b> <sup>1)</sup>	75	33	M 8	30	10	6	10	8001132048696
<b>PM F 34</b>	<b>571218</b> <sup>1)</sup>	75	34	M 8	30	10	6	10	8001132712184
<b>PM F 35</b>	<b>571219</b> <sup>1)</sup>	75	35	M 8	35	10	6	10	8001132712191
<b>PM F 35 BL</b>	<b>520113</b> <sup>1)</sup>	75	35	M 8	35	10	6	10	8001132029039
<b>PM F 36</b>	<b>571220</b> <sup>1)</sup>	75	36	M 8	36	10	6	10	8001132712207
<b>PM F 38</b>	<b>571221</b> <sup>1)</sup>	75	38	M 8	35	10	6	10	8001132712214
<b>PM F 38 BL</b>	<b>519109</b> <sup>1)</sup>	75	38	M 8	35	10	6	10	4048962159165
<b>PM F 40</b>	<b>571222</b> <sup>1)</sup>	75	40	M 8	40	10	6	10	8001132712221
<b>PM F 40 BL</b>	<b>513854</b> <sup>1)</sup>	75	40	M 8	40	10	6	10	5012184004298
<b>PM F 42</b>	<b>571223</b> <sup>1)</sup>	75	42	M 8	40	10	6	10	8001132712238
<b>PM F 45</b>	<b>071725</b> <sup>1)</sup>	75	45	M 8	45	10	6	10	8001132717257
<b>PM F 46</b>	<b>071224</b> <sup>1)</sup>	75	46	M 8	45	10	6	10	8001132712245
<b>PM F 46 BL</b>	<b>515722</b> <sup>1)</sup>	75	46	M 8	45	10	6	10	4048962133622
<b>PM F 50</b>	<b>071225</b> <sup>1)</sup>	75	50	M 8	50	10	6	10	8001132712252
<b>PM F 50 BL</b>	<b>515723</b> <sup>1)</sup>	75	50	M 8	50	10	6	10	4048962133639

<sup>1)</sup> Do not use with profile Solar-light

**TECHNICAL DATA**



Anti-theft bronze ball **DAE**

Item	Art.-No.	Diameter	Sales unit	GTIN (EAN code)
		∅ [mm]	[pcs]	
<b>DAE</b>	<b>071587</b>	6	100	8001132715871